

Specifications

| | | | |
|--------------------|---------------------------------------|-----------------------|---------------|
| Electrical Ratings | 100mA @ 30VDC | Dielectric Strength | 1000Vrms min |
| Electrical Life | 100,000 cycles typical | Insulation Resistance | >100MΩ min |
| Contact Resistance | <50mΩ initial | Operating Temperature | -40°C to 85°C |
| Actuation Force | 260 ± 50gF | Storage Temperature | -40°C to 85°C |
| Actuator Travel | 1.5mm to lock 2.5mm to full travel | | |

Materials

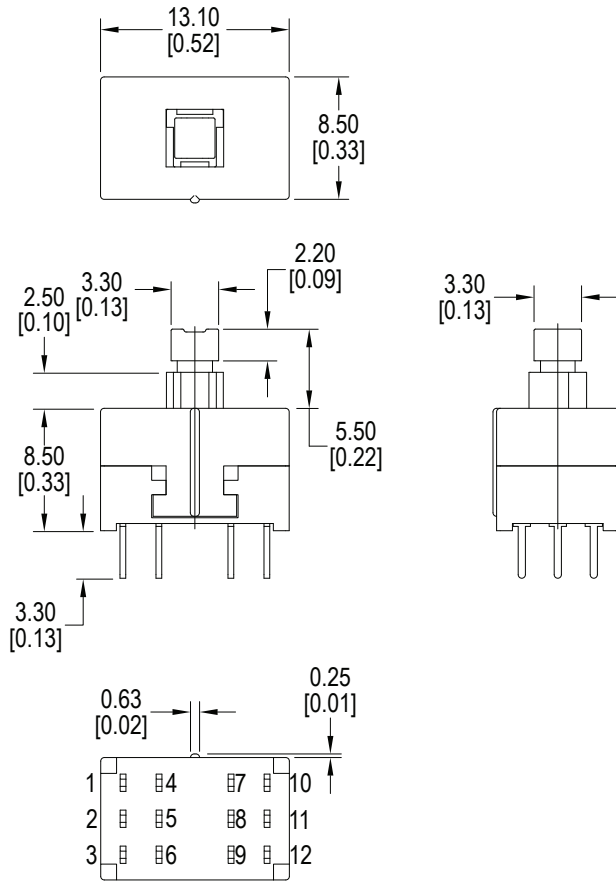
| | |
|--------------|--------------------------------|
| Actuator | Acetal |
| Housing | PBT |
| Cover | Acetal |
| Latching Pin | Stainless Steel |
| Spring | Stainless Steel |
| Contacts | Phosphor Bronze, Silver Plated |
| Terminals | Brass, Silver Plated |

Ordering Information

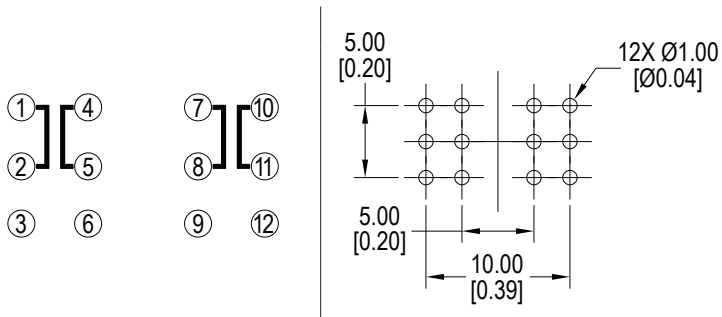
| | | | | | |
|----------------------|---|------|---|---|---|
| 1. Series | LP4203 | F260 | L | Z | A |
| LP4203 | | | | | |
| 2. Actuation Force | F260 = F260gF | | | | |
| 3. Latching | N = Non-Latching * Contact Factory for Latching Option | | | | |
| 4. Actuation Options | Y = 3.3mm square head | | | | |
| 5. Termination | A = PC Pins, straight | | | | |
| 6. Cap Options | Cap Colors: ** See Cap Options for color availability | | | | |
| Blank = No Cap | | | | | |
| C11 | C17 | | | | |
| C12 | C18 | | | | |
| C13 | C22 | | | | |
| C15 | C26 | | | | |
| C16 | | | | | |

Dimensions

Y Actuator

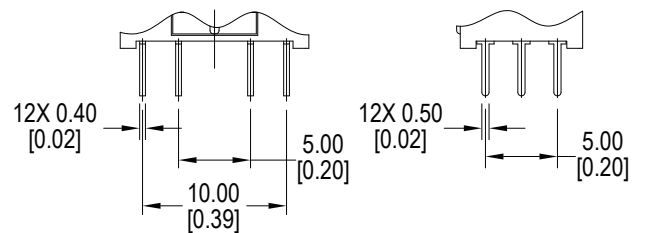


Schematic & PC Layout



Termination

A, Straight PC Pins

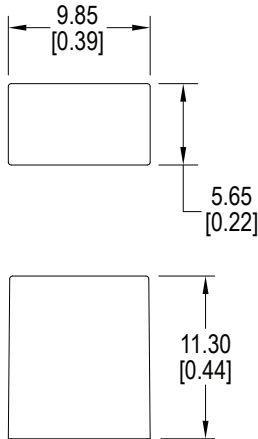


Cap Options for Y Actuator Contact Factory for other available colors

C11_



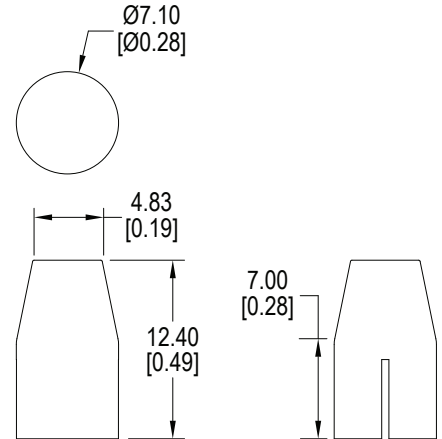
- 1 = White
- 2 = Black
- 3 = Red
- 9 = Light Gray



C12_



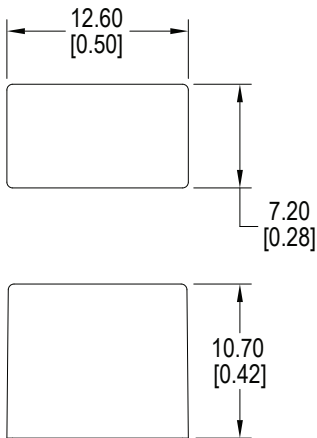
- 1 = White
- 2 = Black
- 3 = Red
- 9 = Light Gray



C13_



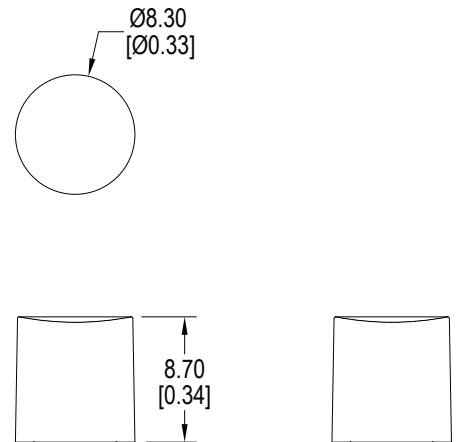
- 1 = White
- 2 = Black
- 3 = Red
- 9 = Light Gray



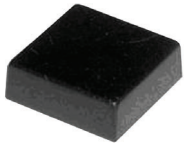
C15_



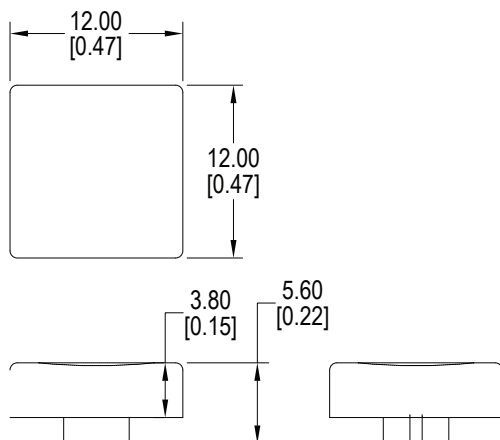
- 2 = Black
- 0 = Clear



C16_



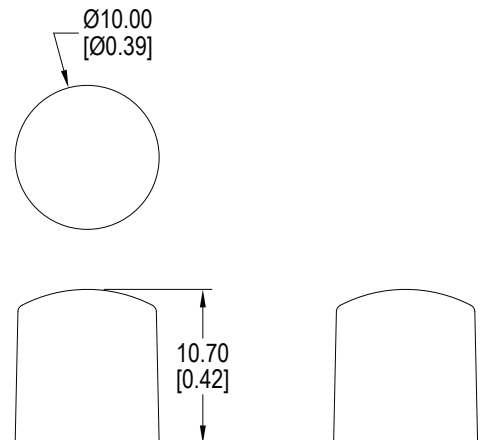
- 1 = White
- 2 = Black
- 3 = Red
- 7 = Blue



C17_

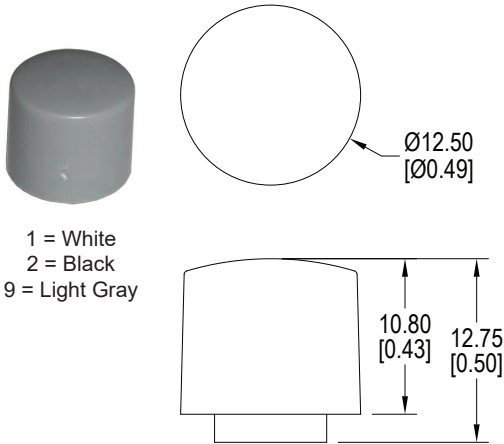


- 2 = Black
- 0 = Clear

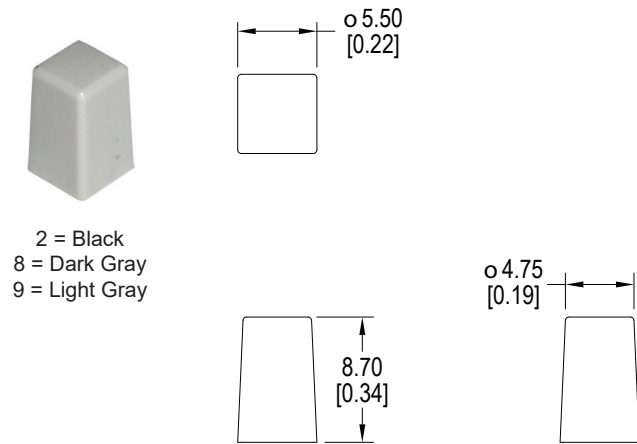


Cap Options for Y Actuator Contact Factory for other available colors

C18_



C22_



C26_

