

Specifications

Electrical Ratings	100mA @ 30VDC	Dielectric Strength	250Vrms min
Electrical Life	20,000 cycles typical	Insulation Resistance	>100MΩ min
Contact Resistance	≤ 200Ω initial	Operating Temperature	-40°C to 85°C
Actuation Force	160 ± 50gF	Storage Temperature	-40°C to 85°C
Actuation Travel	1.4 ± .2mm		

Materials

Actuator	6/6 Nylon
Housing	6/6 Nylon
Cap	PolyCarbonate
Contacts	Conductive Rubber
Terminals	Brass, Gold Plated

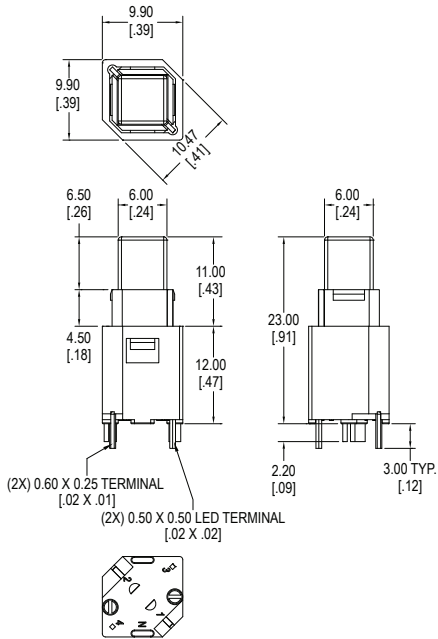
Ordering Information

1. Series	RT	A	1	W
RT				
2. Actuator Style				
A				
B				
C				
D				
E				
3. Actuator Color				
0 = Clear, semi-transparent	0T = Clear, transparent			
1 = White, semi-transparent				
3 = Red, semi-transparent	3T = Red, transparent			
4 = Yellow, semi-transparent	4T = Yellow, transparent			
5 = Green, semi-transparent	5T = Green, transparent			
7 = Blue, semi-transparent	7T = Blue, transparent			
2 = Black opaque for use with laser etching				
9 = Dark Gray opaque for use with laser etching				
MS = Misty Silver opaque for use with laser etching				
4. LED Color				
X = No LED	RY = Red/Yellow dual LED			
R = Red	RG = Red/Green dual LED			
Y = Yellow	RB = Red/Blue dual LED			
G = Green	YG = Yellow/Green dual LED			
PG = Pure Green	YB = Yellow/Blue dual LED			
B = Blue	GB = Green/Blue dual LED			
W = White	RGB = RGB LED			
	**White & Pure Green are only available as a single color LED			
5. Laser Etching Styles				
Blank = No laser etching				
A	F			
B	G			
C	H			
D	I			
E	J			

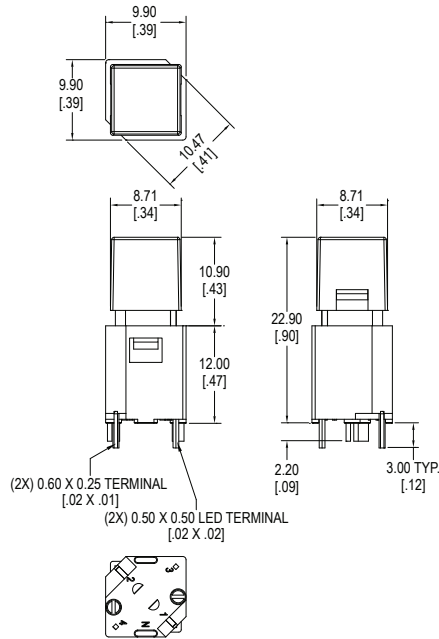
LED Bi-Color Illuminated Miniature Pushbutton

Dimensions - Standard LED

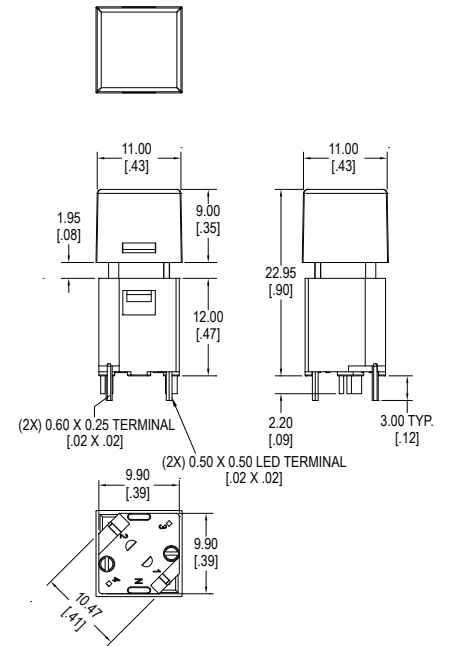
A Style, Standard LED



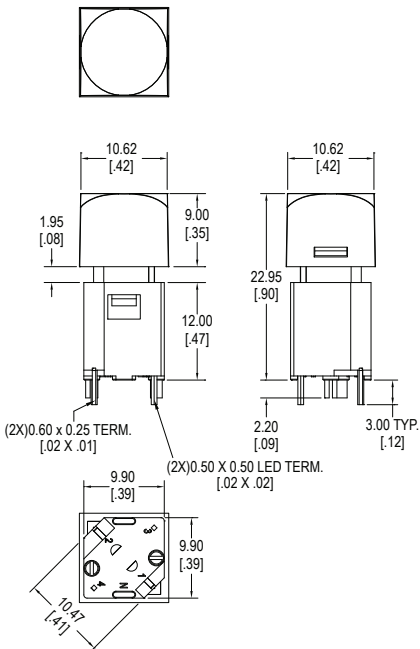
B Style, Standard LED



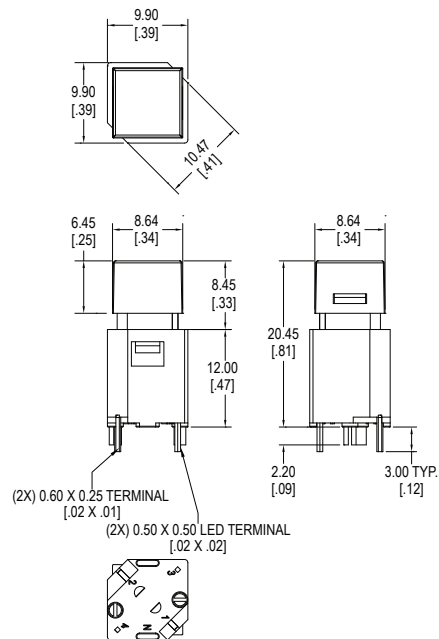
C Style, Standard LED



D Style, Standard LED

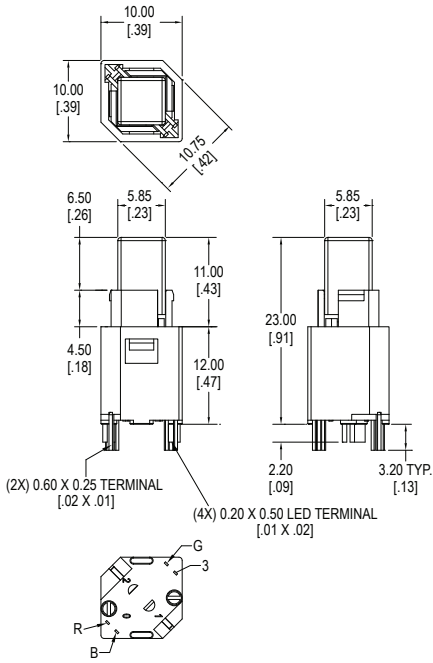


E Style, Standard LED

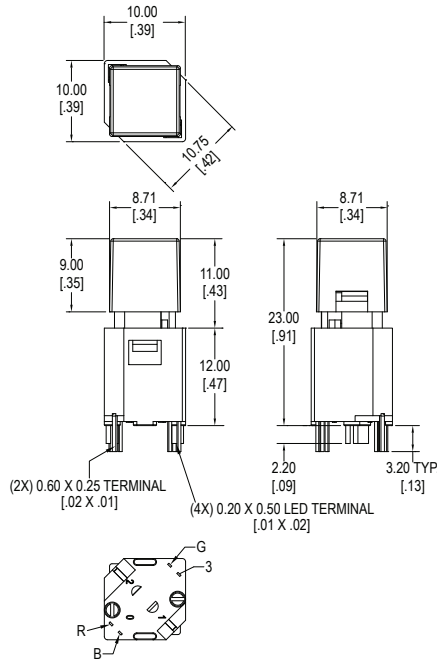


Dimensions continued

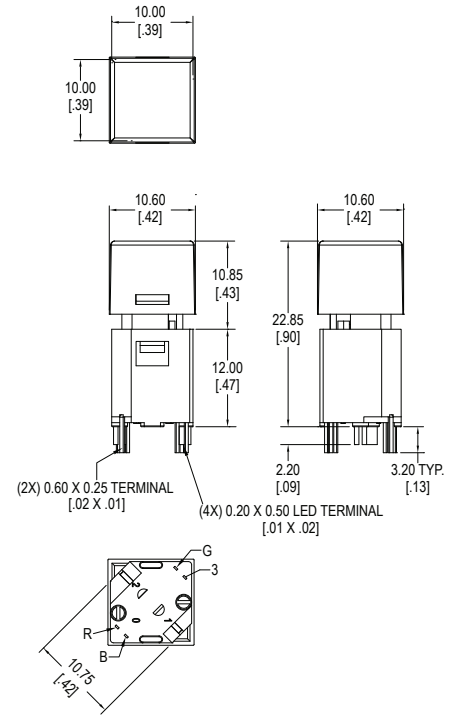
A Style, RGB LED



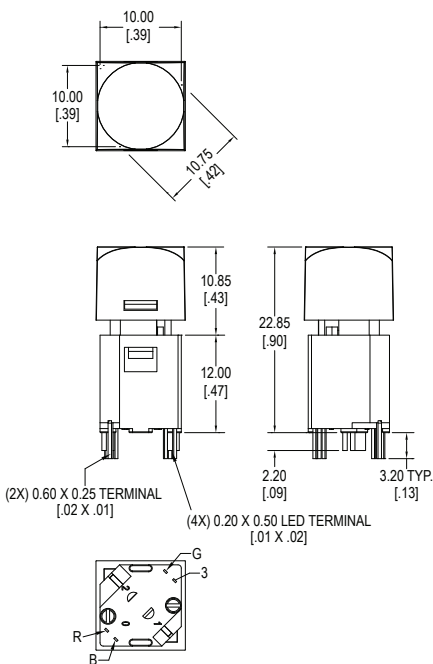
B Style, RGB LED



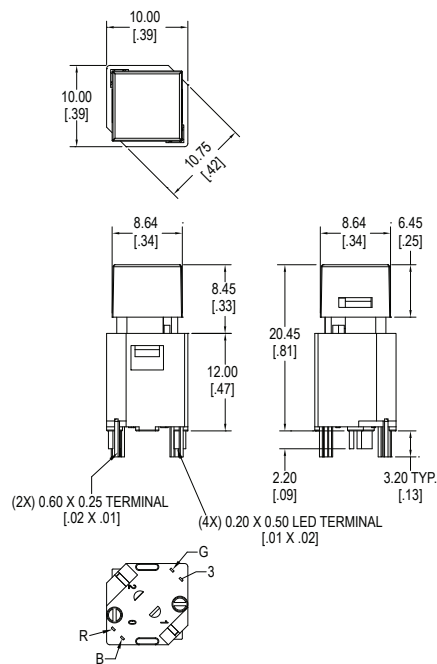
C Style, RGB LED



D Style, RGB LED



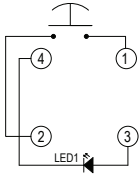
E Style, RGB LED



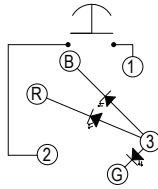
LED Bi-Color Illuminated Miniature Pushbutton

Schematics

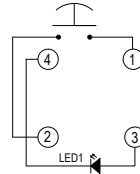
A Style, Standard LED



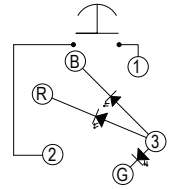
A Style, RGB LED



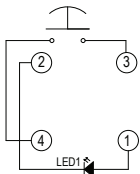
B Style, Standard LED



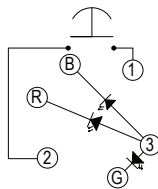
B Style, RGB LED



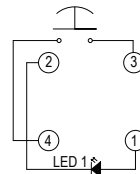
C Style, Standard LED



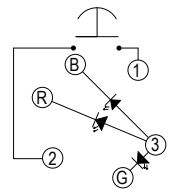
C Style, RGB LED



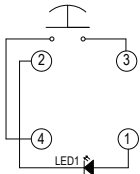
D Style, Standard LED



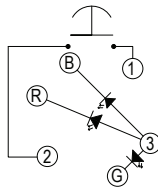
D Style, RGB LED



E Style, Standard LED

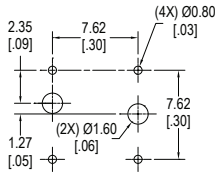


E Style, RGB LED

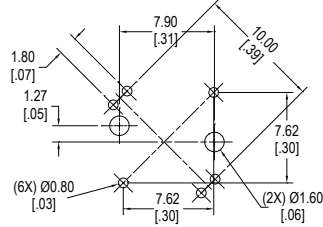


PC Layout

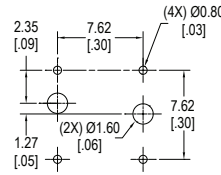
A Style, Standard LED



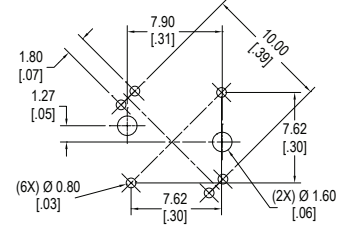
A Style, RGB LED



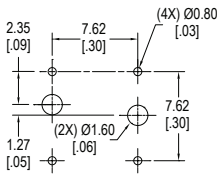
B Style, Standard LED



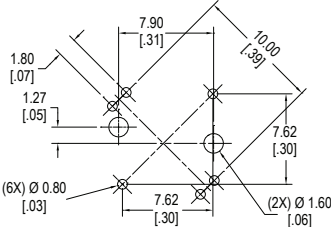
B Style, RGB LED



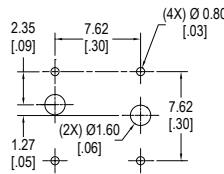
C Style, Standard LED



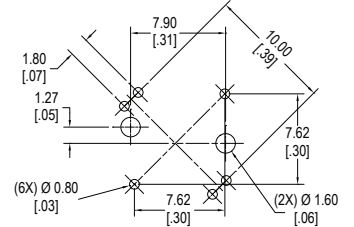
C Style, RGB LED



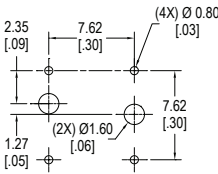
D Style, Standard LED



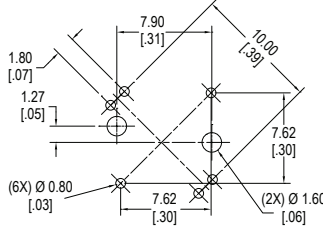
D Style, RGB LED



E Style, Standard LED



E Style, RGB LED

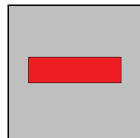


Laser Etching Styles

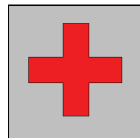
A Style



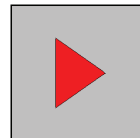
B Style



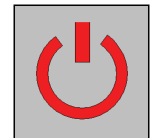
C Style



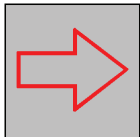
D Style



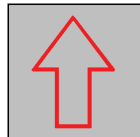
E Style



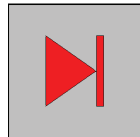
F Style



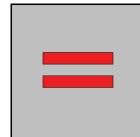
G Style



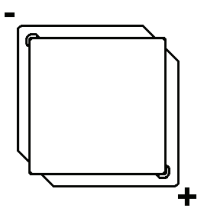
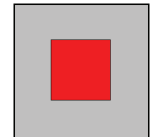
H Style



I Style



J Style



All laser etching styles will be orientated with the + terminal located on the right hand side with respect to the legend.

LED Characteristics

LED Ratings		Color							Units
		R	Y	G	B	PG	W		
Reverse Voltage	V_R	5	5	5	5	5	5	V	
Forward Current (avg)	I_F	30	30	30	30	30	30	mA	
Forward Current (peak)	I_{FS}	90	60	120	100	100	100	mA	
Reverse Current $V_R = 5V$	I_R	50	10	10	50	50	50	μA	
Power Dissipation	P_T	75	75	100	120	120	120	mW	
Operating & Storage Temperature	T_A	-40 ~ +85						$^{\circ}C$	
Forward Voltage (typ) $I_F = 20mA$	V_F	2.1	1.7	1.7	3.5	3.5	3.5	V	
Forward Voltage (max) $I_F = 20mA$	V_F	2.4	2.6	2.6	4.0	4.0	4.0	V	
Wavelength at Peak Emmission, $I_F = 20mA$	λ_P	630	590	565	470	525	n/a	nm	
Spectral Line Half-Width, $I_F = 20mA$	$\Delta\lambda$	20	20	30	30	36	n/a	nm	
Luminous Intensity, $I_F = 20mA$	LI	50	350	90	1500	1100	2700	mcd	
Viewing Angle	Θ	44	40	44	30	28	40	deg	