

**PATENT
PENDING**



Solid State Illuminated Pushbutton Anti-Vandal

| Specifications | Momentary & Latching | Navigation |
|-----------------------------|---|---|
| Operating Voltage Range | 6VDC ~ 26.4VDC | 6VDC ~ 28VDC |
| Nominal Load Current | 24A (T _A = 85°C) | 5A per channel, 10A total (T _A = 85°C) |
| Maximum Inrush Current | 60A at (T _A = 85°C) | 52A at (T _A = 85°C) |
| Short Circuit Protection | Output does not function. Reset by cycling through OFF position. (unless short circuit condition continues) | Output does not function. Reset by cycling through OFF position. (unless short circuit condition continues) |
| Over Temperature Protection | Output does not function Will reset when internal junction temperature returns to 150°C or below. | Output does not function Will reset when internal junction temperature returns to 150°C or below. |
| Reverse Polarity Protection | -80VDC | -80VDC |
| Actuator Travel | Travel to Make : 1.75±.5mm; Total Travel : 3.5±.5mm | |
| Actuation Force | 500±100gF | |
| Electrical Endurance | 1,000,000 cycles minimum | |
| Impact Resistance | IK08 | |
| Shock Resistance | 30G, 11ms | |
| Vibration Resistance | 10G, 10-500Hz | |
| Operating Temperature | -25°C to 85°C (contact factory for higher values) | |
| Storage Temperature | -25°C to 85°C (contact factory for higher values) | |
| Sealing Degree | IP68 | |

Materials

| | |
|---------------|---|
| LED Lens | Polycarbonate (PC) |
| Threaded Body | Stainless Steel (SUS 316F) |
| Actuator | Stainless Steel (SUS 316F) |
| Wire | GXL Automotive Grade, (XLPE) insulation |
| Hardware | One Hex Nut & One "O" Ring supplied |

LED Characteristics

| | | Color | | | | Units |
|---|-----------------|--------------|-----|-----|------|-------|
| | | W | B | R | G | |
| Reverse Voltage | V _R | 5 | 5 | 5 | 5 | V |
| Forward Current (avg) | I _F | 30 | 30 | 30 | 30 | mA |
| Forward Current (peak) | I _{FS} | 100 | 100 | 150 | 100 | mA |
| Reverse Current V _R = 5V | I _R | 10 | 10 | 10 | 10 | µA |
| Power Dissipation | P _T | 120 | 105 | 72 | 100 | mW |
| Operating & Storage Temperature | T _A | -40°C ~ 85°C | | | | C° |
| Forward Voltage (typ) I _F = 20mA | V _F | 2.8 | 3.3 | 2.0 | 3.3 | V |
| Forward Voltage (max) I _F = 20mA | V _F | 3.3 | 3.5 | 2.4 | 3.7 | V |
| Wavelength at Peak Emission I _F = 20mA | λ _P | n/a | 465 | 630 | 532 | nm |
| Spectral Line Half-Width I _F = 20mA | Δλ | n/a | 25 | 15 | 35 | nm |
| Luminous Intensity, I _F = 20mA | LI | 2900 | 400 | 350 | 1000 | mcd |
| Viewing Angle | Θ | 120 | 120 | 120 | 120 | deg |

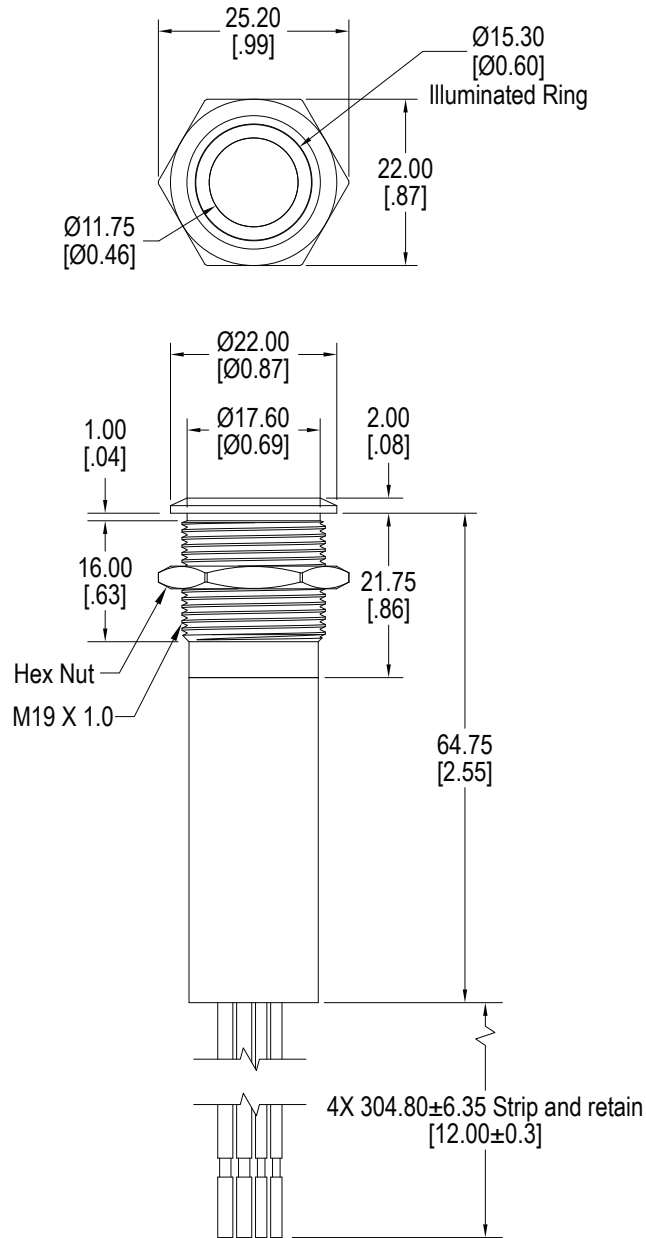


Solid State Illuminated Pushbutton Anti-Vandal

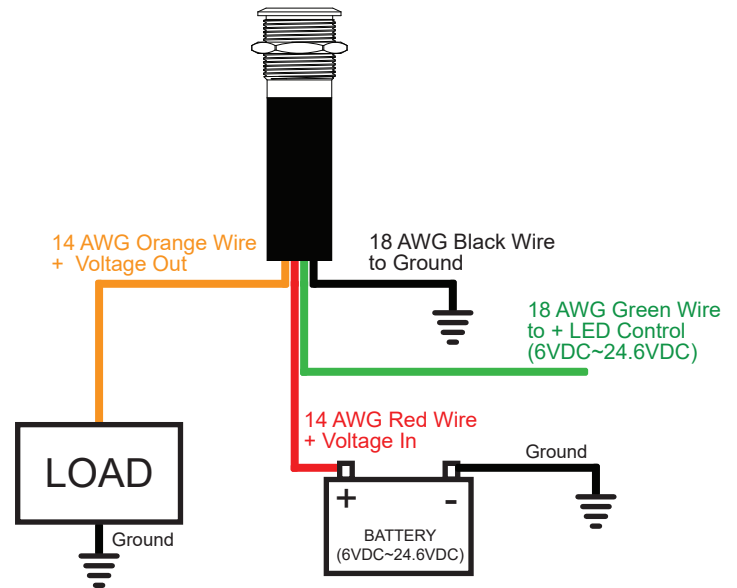
Ordering Information

| | | | | | | | |
|---|-----|----|---|---|---|---|---|
| 1. Series | SS1 | 19 | C | B | S | N | W |
| SS1 | | | | | | | |
| 2. Housing Diameter | | | | | | | |
| 19 = 19mm | | | | | | | |
| 3. Switch Function | | | | | | | |
| N = Momentary | | | | | | | |
| L = Latching | | | | | | | |
| C = Navigation | | | | | | | |
| First Press: Channel 1 ON & Channel 2 ON | | | | | | | |
| Second Press : Channel 1 ON & Channel 2 OFF | | | | | | | |
| Third Press : Channel 1 OFF & Channel 2 OFF | | | | | | | |
| 4. Illumination | | | | | | | |
| B = Flush actuator, ring illuminated | | | | | | | |
| 5. Switch Finish | | | | | | | |
| S = Brushed 316 Stainless Steel | | | | | | | |
| 6. LED Color | | | | | | | |
| R = Red | | | | | | | |
| G = Green | | | | | | | |
| B = Blue | | | | | | | |
| W = White | | | | | | | |
| N = Navigation | | | | | | | |
| First Press : Red LED illuminates | | | | | | | |
| Second Press : Blue LED illuminates | | | | | | | |
| Third Press : OFF | | | | | | | |
| NA = Navigation Alternate | | | | | | | |
| First Press : Blue LED illuminates | | | | | | | |
| Second Press : Red LED illuminates | | | | | | | |
| Third Press : OFF | | | | | | | |
| Contact Factory for other LED options | | | | | | | |
| 8. Wire Length | | | | | | | |
| W = 12", standard | | | | | | | |
| Contact Factory for other wire options | | | | | | | |

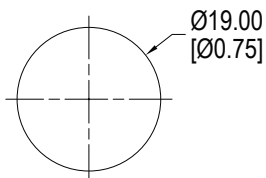
Dimensions – Momentary Function



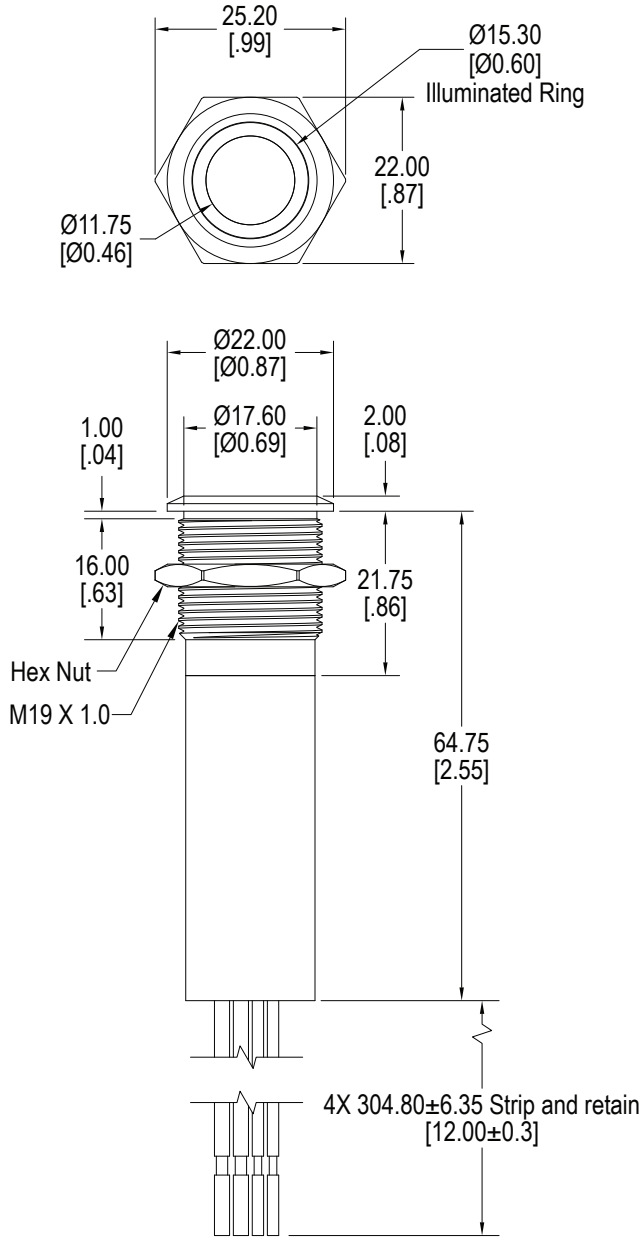
Wire Designations



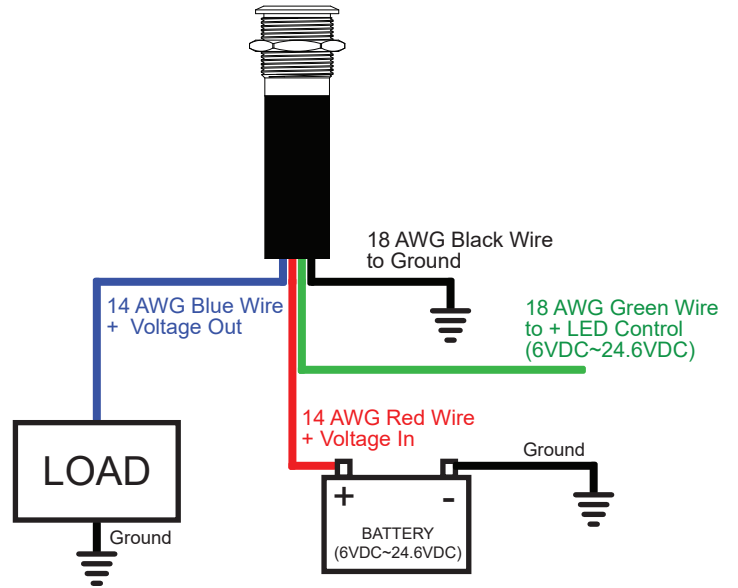
Panel Cut-Out



Dimensions – Latching Function



Wire Designations



Panel Cut-Out

